

Rail King[®]

MOBILE RAILCAR MOVER

RK285



RAIL KING[®] MODEL RK285

The Rail King Model RK285 Mobile Railcar Mover provides up to 44,500 pounds of tractive effort. Design features that increase operator safety and productivity include:

- ▶ Enclosed insulated cab with 360-degree visibility. Ergonomically designed with touch hydraulic controls. Standard equipment includes windshield wipers front and rear, cab heater, two defrost fans and full instrumentation including tachometer and tinted safety glass.
- ▶ Patented cushion coupler system, full-floating frame and cab design that provides a smooth ride on rail.
- ▶ Wider and taller cab-entry doors, more floor space, more leg room, dual operator controls, one-piece dual seat, and insulated engine cowling for operator comfort.
- ▶ Hydraulically driven train air compressor for reliable service.
- ▶ Cab deck includes walkover platform, stair-step ladder and solid bar stock hand railing. Large rubber isolators support cab.
- ▶ Full light package (coupler, railwheel, stop, red and white interior, headlights, step lights and flashing beacon).
- ▶ Hydraulic control system consolidated and located for ease of servicing and maintenance.

Contact your local Rail King representative to find out how we can increase productivity for your switching operations.

DESIGN FEATURES

- ▶ Friction roadwheel drive
- ▶ Four-speed transmission, autoshift or powershift selection
- ▶ Crossover platform
- ▶ 360° operator visibility
- ▶ Full width bumpers to protect powertrain
- ▶ Good floor space and cab height for ease of moving around
- ▶ Fabricated steel couplers

OPTIONS

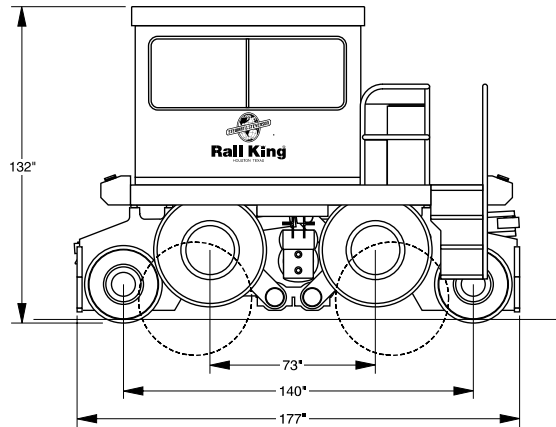
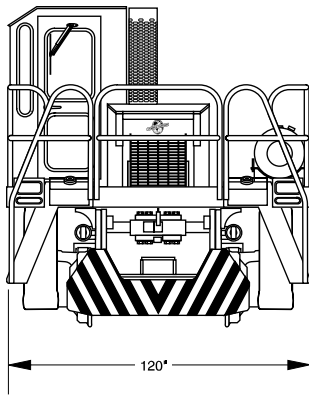
- ▶ Air conditioning
- ▶ Air-ride seats
- ▶ Step extensions
- ▶ Spotlights
- ▶ Turn signals
- ▶ Fire extinguisher
- ▶ 75-gallon fuel tank
- ▶ Central lube system
- ▶ Remote control
- ▶ Other options available on request



BUILDING FOR THE NEXT CENTURY



RK285



PNEUMATIC SYSTEM

High capacity 50-cfm air compressor system. Includes two compressors, three reservoirs with drains, air dryers, lever operated pressure control valve with emergency stop capability.

POWER STEERING

Full hydrostatic power steering.

COUPLERS

Two weight-transfer couplers made from fabricated steel (no castings). Couplers slide on high-density self-lubricating nylon bearings for long life and minimal maintenance. This heavy-duty coupler system operates on a center pivot housed in a massive synthetic rubber cushion pressed into both sides of the frame.

SANDERS

Replaceable steel sandboxes and eight air-operated sanding tubes with easy clean receivers: two for each rail wheel, front and back.

DUAL-DIRECTION CAB

Provides excellent visibility. Improved height for ease of moving around. Standard equipment includes dual controls, one-piece dual seat providing more adjustment for operator, front and rear wipers, heater, two defrost fans and tempered safety glass.

CONTROLS

Improved console with electric switches to implement functions at each operating position. Instrument panel positioned for viewing ease of operator.

OTHER FEATURES

Air blast horn and protect-o-seal fuel cap.

SPECIFICATIONS

GENERAL

WEIGHT	37,000 lb
LENGTH	177"
WIDTH	120"
HEIGHT (ON ROAD)	142"
HEIGHT (ON RAIL)	132"
RAIL CLEARANCE	3"
ROAD CLEARANCE	10"
SPEEDS (FORWARD & REVERSE)	4
ON ROAD	9 mi/h
ON RAIL	15 mi/h

ENGINE

MAKE	Cummins
MODEL	QSB 6.7
TYPE	Electronic, 4-cycle, turbocharged diesel
RATED POWER	173 bhp @ 2200 rpm
FUEL TANK	40 gal
FEATURES	Tier III Compliant

MAXIMUM TRACTIVE EFFORT

WHEN BOTH COUPLERS ARE USED	44,500 lb
WHEN ONE COUPLER IS USED	28,250 lb

FRAME

Heavy-duty, welded from 2" steel plate

MUFFLER

Sound-attenuating, spark-arresting with safety shield.

TRANSMISSION

John Deere DF150 with torque converter, four speeds forward and reverse, autoshift or power-shift selection.

RAIL- & ROAD-DRIVE

John Deere spiral bevel gear set; designed for bi-directional operation, no spin differential with internal planetary axles. Friction drive transmitted from rail-drive axle incorporates separate braking system. Does not require special tires.

BRAKES

Inboard multiple wet-disk brakes. Protected from contaminants and can last up to four times longer than dry-disc brakes. Spark-free for regulatory compliance in hazardous environments.

RAILWHEELS

28" diameter heat-treated cast steel. Tapered tread contour to AAR specifications.

ROADWHEELS

Hard rock lug 14-ply 10.00 x 20

CONTACT US TODAY

Stewart & Stevenson

8787 East Freeway

Houston, TX 77029

Telephone: (713) 679-6525

Facsimile: (713) 671-6386

email: railking@ssss.com

www.stewartandstevenson.com

Rail King[®]
MOBILE RAILCAR MOVER

